

JETMAN

Quality never fades

GUANGDONG JIETEMAN INTELLIGENT TECHNOLOGY CO., LTD

ADD: 广东省潮州市潮安区古巷镇枫洋二村大坑塘片工业区

E-MAIL: quinn@gdzh-jie.com

TEL: 86-0768-6925938/6925060

FAX: 86-0768-6925556

WEB: www.jetman-cn.com

QUALITY ASSURANCE GLOBAL TRUST

In today's increasingly competitive global market, JETMAN prioritizes product quality above all. Our smart toilet products undergo rigorous quality control and have received multiple international certifications, ensuring that each product meets the high standards of users worldwide.



QUALITY

JETMAN consistently regards product quality as its core competitive strength. Every smart toilet undergoes rigorous quality control, ensuring compliance with international standards and receiving multiple authoritative certifications. We are committed to delivering high-quality products to consumers worldwide, ensuring peace of mind with every use.

INNOVATION

As a leader in the smart toilet industry, JETMAN continuously drives technological innovation. By integrating cutting-edge technologies into product design, we not only enhance functionality but also strive to provide users with a more convenient and intelligent living experience.

SUSTAINABILITY

JETMAN not only pursues excellent product performance but is also committed to environmental protection and sustainability. Our water-saving, energy-efficient designs reduce resource waste and actively contribute to environmental conservation. Every product reflects our concern and responsibility for the future of the planet.

USER EXPERIENCE

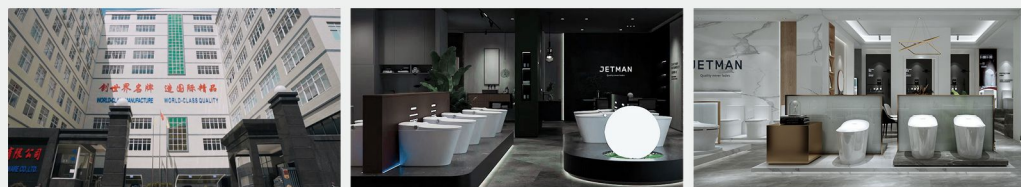
JETMAN prioritizes user experience above all. We continually refine every detail of our products to ensure that users enjoy the utmost comfort and convenience during use. Through human-centered design, we create a unique and intuitive experience for users worldwide.

JETMAN

Quality never fades

JETMAN PROFILE

A Symbol of Quality and Innovation



JETMAN has got the ISO9001: 2015 certificate, BSCI, ICS and SEDEX factory audits, our products have got the Australia quality certificate (Watermark), CUPC for north America and CE certificate for European countries

JETMAN is a professional manufacturer of ceramic sanitary ware with over 20 years' production experience, annual output reaches 1700,000 pcs. Main products are ceramic basins and toilets.

In August, 2021, JETMAN's main workshop whose building area is 80,430 m² has started producing. Main workshop of JETMAN have invested with the most advanced tunnel kiln, high-pressure casting lines, spray circulation line, as well as well-equipped laboratory for analytical testing of raw materials and finished products, and also adopts with modern enterprise operation and manage system.

A SYMBOL OF QUALITY AND INNOVATION



JETMAN's intelligent R&D team brings together top technical experts from renowned industry brands, with extensive experience in the field, ensuring that their products remain at the forefront of the industry.

JETMAN consistently regards product quality as its core competitive strength. Every smart toilet undergoes rigorous quality control, ensuring compliance with international standards and receiving multiple authoritative certifications. We are committed to delivering high-quality products to consumers worldwide, ensuring peace of mind with every use.

As a leader in the smart toilet industry, JETMAN continuously drives technological innovation. By integrating cutting-edge technologies into product design, we not only enhance functionality but also strive to provide users with a more convenient and intelligent living experience.



DEVELOPMENT PATH

From a quality-focused brand to a global leader in smart bathrooms, constantly innovating and breaking boundaries.

80,430⁺
Floor space

1700,000⁺
Annual capacity

2,000
Founded in JETMAN

2000	Establishment of JETMAN	JETMAN was officially established, dedicated to the research and production of high-quality ceramic bathroom products. Through innovative technology and superior service, JETMAN quickly made its mark in the market, laying the foundation for a development strategy centered on quality and innovation.
2005	Entering the International Trade Market	JETMAN successfully entered the international trade market, with the first batch of export products sold to Portugal, pioneering a global business model focused on exports. The company continuously expanded its international market, establishing a sales network covering multiple countries and regions.
2009	Quality Certifications and Standardization	JETMAN achieved ISO9001 quality management system certification and obtained CE certification for 80% of its products. These certifications not only enhanced the company's international competitiveness but also demonstrated JETMAN's commitment to quality and safety, further elevating its reputation in the global market.
2016	Social Responsibility and Human Rights Certification	JETMAN passed the ICS human rights audits and completed SEDEX and BSCI certifications, earning trust from international clients. The company actively fulfills its social responsibility, continuously optimizing production and management processes to ensure sustainable development.
2021	New Headquarters Launched	JETMAN's new headquarters were officially launched, equipped with the most advanced tunnel kiln, high-pressure lines, automated glazing lines, and various advanced equipment. The new factory not only increased production efficiency and product quality but also featured dedicated laboratories for raw material and finished product testing, ensuring the excellence and safety of every product. The annual output reached 1.7 million units.
2022	Establishment of Specialized Smart Team	JETMAN formed a specialized smart team comprising top industry talents, focusing on the research and innovation of smart bathroom products, continuously introducing high-tech and high-quality smart solutions.

2024	Industry Recognition and Awards	JETMAN, with its outstanding product quality and continuous innovation, was awarded the China Construction Sanitary Ceramic Product Quality Gold Award. The company boasts the only CNAS-certified laboratory in the Chaozhou ceramics industry, further solidifying JETMAN's position as a leader in the smart bathroom industry.
2025	Automation production scale formation	JETMAN has fully completed the construction of automated production scale, introducing production lines that deeply integrate intelligent and digital management systems to achieve fully automated operations from raw materials to finished products. This upgrade not only increases production capacity by 30% but also further ensures consistent product quality, providing global users with more efficient and stable supply of sanitary ware products.



JETMAN HONOR

In the pursuit of intelligent technology and comfortable living, JETMAN has earned multiple industry accolades with its outstanding spirit of innovation, leading technology, and exceptional quality. We are committed to providing global users with higher-quality smart products, setting a new benchmark for smart living.



Tax payment exceeded 5 million yuan in 2019



Tax payment exceeded 5 million yuan in 2020



Tax payment exceeded 5 million yuan in 2022



Innovative Product Award



Green sanitary Ware Award



Excellent clean production enterprise



Provincial high-tech enterprise certificate



Minmetals membership certificate



Outstanding quality contribution award



SMETA Certification



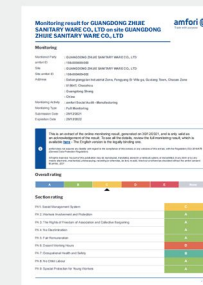
CQM Certification



Laboratory certification



Laboratory certification



BSCI



CE



CQM



CUPC



ISO9001-ZHIJIE



UKCA



Watermark

SMART NATURE FLUID ELEGANCE

At JETMAN, we believe design is not just about functionality; it's the perfect fusion of humanity and nature. Our smart bathroom products are based on the beauty of nature and streamlined design, creating a tranquil and intelligent user experience. With simple yet elegant designs, we aim for every product to bring more comfort and joy to your life, resonating in harmony with nature.



SMARTL IN CONTROL

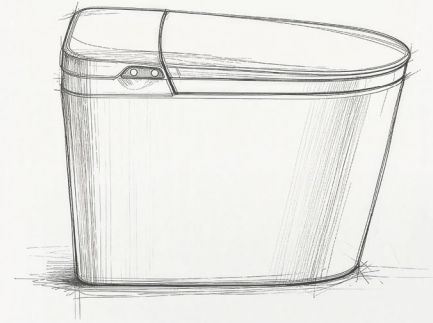
Intelligent one click control, Integrated flushing, hip washing, women's washing, and dual user memory modes, all at the touch of a button to complete the operation. Automatically store personalized settings for you and your family, making every use easy and convenient, Experience true smart simplicity.

Intelligent independent remote control,
allowing you to reach without getting up.



INNOVATION AND HERITAGE

We believe that design is the source of innovation. Whether it's functional improvement or aesthetic redesign, we always prioritize user experience. Through continuous innovation and optimization, we inherit classics and create new value.



Through new design concepts and innovative technologies, we have redefined the appearance and functionality of our products. JETMAN is committed to providing high-quality bathroom products that bring unprecedented intelligent experiences.

We have added convenient and comfortable modern features while continuing the classic style. By integrating intelligent and people-oriented design, classic appearance and modern technology are perfectly integrated, bringing users a brand new experience.



NO.Q2

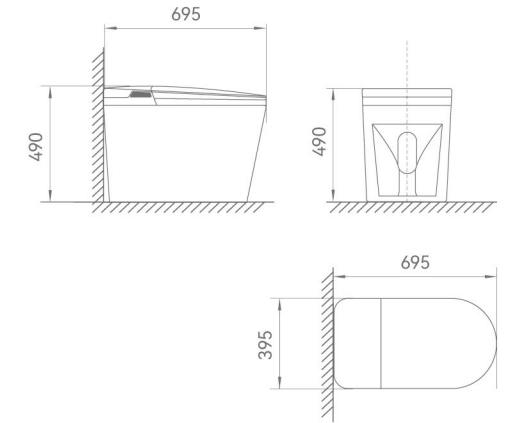
JETMAN's intelligent light control technology brings efficiency and comfort. No need for complex operations, just touch the button and easily enjoy the convenience and fun brought by technology. Every intelligent function aims to add convenience and joy to your daily life.



Size: 695*395*490mm

Rough-in Distance: 305/400mm

Unit: mm



Light smart / basic: damping slow-close

Light smart / upgraded: built-in foam shield + microwave sensing lid lifting + digital display + automatic slow-close

Full smart / standard: warm air drying + wind temperature adjustment + overheat protection + remote flushing + built-in foam shield + digital display + convenient remote control + damping slow-close + deodorization function + hip washing / feminine washing + oscillating cleaning + nozzle position adjustment + water pressure adjustment + water temperature adjustment + nozzle cleaning + assisted defecation + oxygen-enriched soft washing

Full smart / high-end: warm air drying + wind temperature adjustment + overheat protection + remote flushing + lid closing / automatic flushing + built-in foam shield + microwave sensing lid lifting + digital display + convenient remote control + automatic slow-close + deodorization function + hip washing / feminine washing + oscillating cleaning + nozzle position adjustment + water pressure adjustment + water temperature adjustment + nozzle cleaning + assisted defecation + oxygen-enriched soft washing

General Function

Basic Configuration	Seat Module	Flushing Functions	Automatic Functions	Other Functions
Leakage protection	Seat heating	Button flushing	Automatic glaze wetting after seating	Water efficiency grade 2
Seat sensing	Low-temperature burn prevention	Automatic flushing after seat leaving		Nano self-cleaning glaze
Smart energy saving (ECO)	Over-temperature protection	Flushing during power failure		Side button
Soft lighting	Seat temperature adjustment	Foot sensor flushing		Quiet flushing



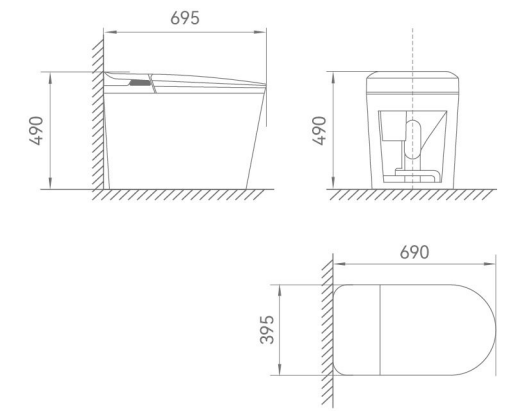
NO.Q3

The interweaving of light and shadow creates an artistic atmosphere that blends reality and virtuality. Becoming a striking visual center.

Size: 695*395*490mm

Rough-in Distance: 305/400mm

Unit: mm



Light smart / basic: damping slow-close

Light smart / upgraded: built-in foam shield + microwave sensing lid lifting + digital display + automatic slow-close

Full smart / standard: warm air drying + wind temperature adjustment + overheat protection + remote flushing + built-in foam shield + digital display + convenient remote control + damping slow-close + deodorization function + hip washing / feminine washing + reciprocal cleaning / nozzle position adjustment + water pressure adjustment + water temperature adjustment + nozzle cleaning + defecation assistance + oxygen-enriched gentle washing

Full smart / high-end: warm air drying + wind temperature adjustment + overheat protection + remote flushing + lid closing / automatic flushing + built-in foam shield + microwave sensing lid lifting + digital display + convenient remote control + automatic slow-close + deodorization function + hip washing / feminine washing + reciprocal cleaning / nozzle position adjustment + water pressure adjustment + water temperature adjustment + nozzle cleaning + defecation assistance + oxygen-enriched gentle washing

General Function

Basic Configuration	Seat Module	Flushing Functions	Automatic Functions	Other Functions
Leakage protection	Seat heating	Button flushing	Automatic glaze wetting after seating	Water efficiency grade 2
Seat sensing	Low-temperature burn prevention	Automatic flushing after seat leaving		Nano self-cleaning glaze
Smart energy saving (ECO)	Over-temperature protection	Flushing during power failure		Side button
Soft lighting	Seat temperature adjustment	Foot sensor flushing		Quiet flushing

SMART CONVENIENCE

At JETMAN, we seamlessly integrate intelligent technology with modern design to provide you with a convenient and comfortable living experience. Through contactless operation and automatic sensing function, we create a simple and efficient living space.



NO.U2

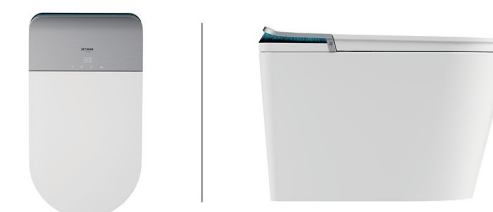
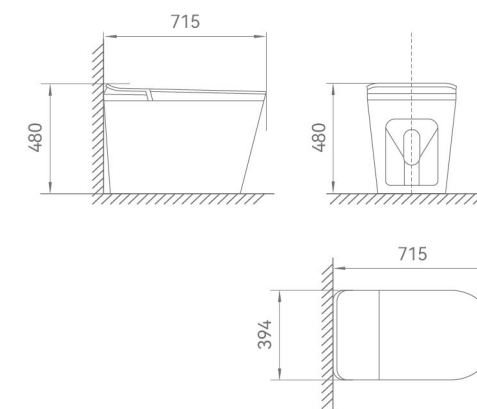
Adopting a streamlined design concept, the lines are soft and dynamic. The overall form presents an avant-garde and elegant visual effect, as if every detail has been meticulously crafted, full of speed and modernity.



Size: 715*394*480mm

Rough-in Distance: 305/400mm

Unit: mm



Light smart / basic: damping slow-close

Light smart / upgraded: remote flushing + lid closing / automatic flushing + built-in foam shield + microwave sensing lid lifting + convenient remote control + automatic slow-close

Full smart / standard: warm air drying + wind temperature adjustment + overheat protection + remote flushing + quiet flushing + built-in foam shield + digital display + convenient remote control + damping slow-close + deodorization function + ambient light + hip washing / feminine washing + reciprocal cleaning / nozzle position adjustment + water pressure adjustment + water temperature adjustment + nozzle cleaning + defecation assistance

Full smart / high-end: warm air drying + wind temperature adjustment + overheat protection + remote flushing + lid closing / automatic flushing + built-in foam shield + microwave sensing lid lifting + convenient remote control + automatic slow-close + deodorization function + ambient light + hip washing / feminine washing + reciprocal cleaning / nozzle position adjustment + water pressure adjustment + water temperature adjustment + nozzle cleaning + defecation assistance

General Function

Basic Configuration	Seat Module	Flushing Functions	Automatic Functions	Other Functions
Leakage protection	Seat heating	Button flushing	Automatic glaze wetting after seating	Water efficiency grade 2
Seat sensing	Low-temperature burn prevention	Automatic flushing after seat leaving		Nano self-cleaning glaze
Smart energy saving (ECO)	Over-temperature protection	Flushing during power failure		Side button
Soft lighting	Seat temperature adjustment	Foot sensor flushing		



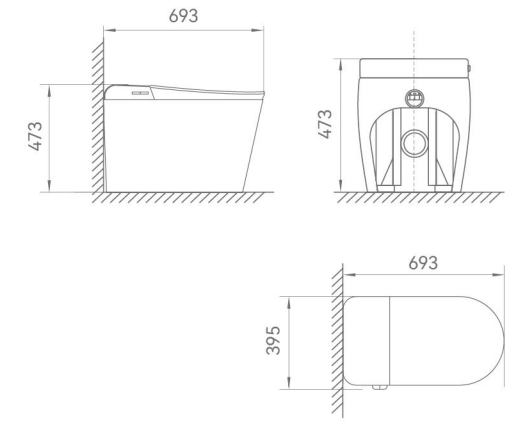
NO.A8

JETMAN smart toilet is equipped with unique ambient lighting, adding a touch of mystery and charm to the night.

Size: 693*395*473mm

Rough-in Distance: 305/400mm

Unit: mm



Light smart / basic: damping slow-close

Light smart / upgraded: remote flushing + lid closing / automatic flushing + built-in foam shield + microwave sensing lid lifting + digital display + convenient remote control + automatic slow-close

Full smart / standard: warm air drying + wind temperature adjustment + overheat protection + remote flushing + built-in foam shield + digital display + convenient remote control + damping slow-close + deodorization function + hip washing / feminine washing + reciprocal cleaning / nozzle position adjustment + water pressure adjustment + water temperature adjustment + nozzle cleaning + defecation assistance

Full smart / high-end: warm air drying + wind temperature adjustment + overheat protection + remote flushing + lid closing / automatic flushing + built-in foam shield + microwave sensing lid lifting + digital display + convenient remote control + automatic slow-close + deodorization function + hip washing / feminine washing + reciprocal cleaning / nozzle position adjustment + water pressure adjustment + water temperature adjustment + nozzle cleaning + defecation assistance

General Function

Basic Configuration	Seat Module	Flushing Functions	Automatic Functions	Other Functions
Leakage protection	Seat heating	Button flushing	Automatic glaze wetting after seating	Water efficiency grade 2
Seat sensing	Low-temperature burn prevention	Automatic flushing after seat leaving		Nano self-cleaning glaze
Smart energy saving (ECO)	Over-temperature protection	Flushing during power failure		Side button
Soft lighting	Seat temperature adjustment	Foot sensor flushing		Quiet flushing

COMFORT EXPERIENCE

JETMAN offers the ultimate experience, equipped with multiple comfort features. The heating seat, warm air drying, and water massage functions make using the toilet no longer a daily task, but a pleasure.



Seat Heating

Automatically adjusts the temperature according to user preferences, providing a warm and comfortable experience.



Warm Air Drying

The warm air drying function starts automatically after use, providing a dry and comfortable feeling.



Oxygen-Enriched Massage

The gentle water flow massage function makes the cleaning process both pleasant and comfortable.

NO.A5

JETMAN achieves a perfect balance between intelligent technology and aesthetics with its simple and elegant design.

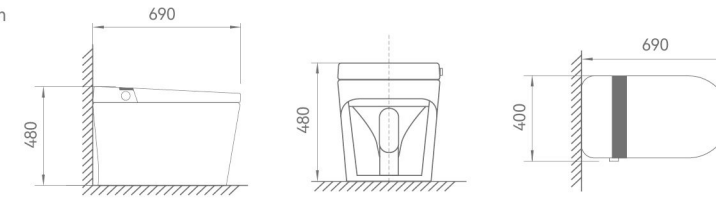


U-shaped

Size: 690*400*480mm

Rough-in Distance: 305/400mm

Unit: mm

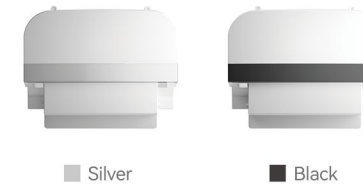
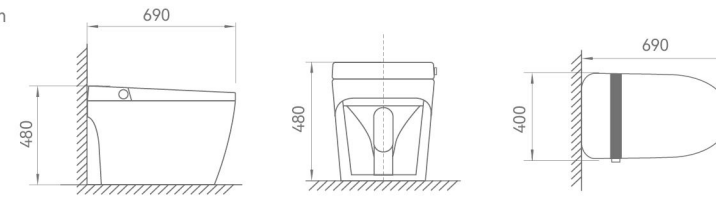


V-shaped

Size: 690*400*480mm

Rough-in Distance: 305/400mm

Unit: mm



■ Silver ■ Black

Light smart / basic: damping slow-close

Light smart / upgraded: remote flushing + lid closing / automatic flushing + external foam shield + microwave sensing lid lifting + digital display + convenient remote control + automatic slow-close

Full smart / standard: warm air drying + wind temperature adjustment + overheat protection + remote flushing + digital display + convenient remote control + damping slow-close + hip washing / feminine washing + reciprocal cleaning / nozzle position adjustment + water pressure adjustment + water temperature adjustment + nozzle cleaning + defecation assistance

Full smart / high-end: warm air drying + wind temperature adjustment + overheat protection + remote flushing + lid closing / automatic flushing + external foam shield + microwave sensing lid lifting + digital display + convenient remote control + automatic slow-close + hip washing / feminine washing + reciprocal cleaning / nozzle position adjustment + water pressure adjustment + water temperature adjustment + nozzle cleaning + defecation assistance

General Function

Basic Configuration	Seat Module	Flushing Functions	Automatic Functions	Other Functions
Leakage protection	Seat heating	Button flushing	Automatic glaze wetting after seating	Water efficiency grade 2
Seat sensing	Low-temperature burn prevention	Automatic flushing after seat leaving		Nano self-cleaning glaze
Smart energy saving (ECO)	Over-temperature protection	Flushing during power failure		Side knob
Soft lighting	Seat temperature adjustment	Foot sensor flushing		

NO.A6

JETMAN's intelligent cleaning technology provides excellent cleaning efficiency and hygiene standards. With intelligent design and precision manufacturing, every use ensures ultimate cleanliness and comfort, creating an unparalleled bathroom experience.

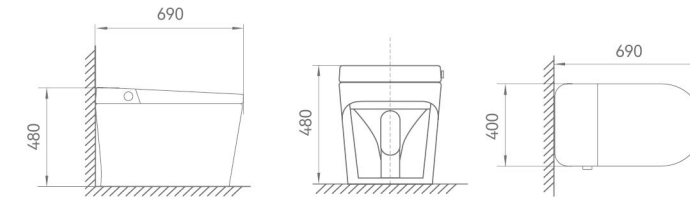


U-shaped

Size: 690*400*480mm

Rough-in Distance: 305/400mm

Unit: mm

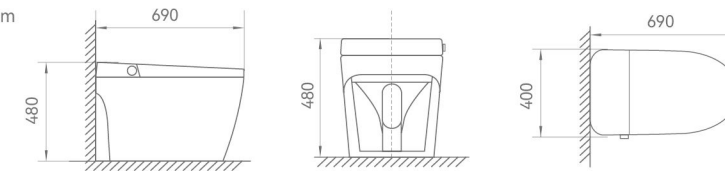


V-shaped

Size: 690*400*480mm

Rough-in Distance: 305/400mm

Unit: mm



Light smart / basic: damping slow-close

Light smart / upgraded: remote flushing + lid closing / automatic flushing + external foam shield + microwave sensing lid lifting + digital display + convenient remote control + automatic slow-close

Full smart / standard: remote flushing + digital display + convenient remote control + damping slow-close + hip washing / feminine washing + reciprocal cleaning / nozzle position adjustment + water pressure adjustment + water temperature adjustment + nozzle cleaning + defecation assistance

Full smart / high-end: remote flushing + lid closing / automatic flushing + external foam shield + microwave sensing lid lifting + digital display + convenient remote control + automatic slow-close + hip washing / feminine washing + reciprocal cleaning / nozzle position adjustment + water pressure adjustment + water temperature adjustment + nozzle cleaning + defecation assistance

General Function

Basic Configuration	Seat Module	Flushing Functions	Automatic Functions	Other Functions
Leakage protection	Seat heating	Button flushing	Automatic glaze wetting after seating	Water efficiency grade 2
Seat sensing	Low-temperature burn prevention	Automatic flushing after seat leaving		Nano self-cleaning glaze
Smart energy saving (ECO)	Over-temperature protection	Flushing during power failure		Side knob
Soft lighting	Seat temperature adjustment	Foot sensor flushing		

SMART VISUALIZATION

JETMAN smart toilet provides an intuitive and convenient user experience through intelligent visualization technology. From the LED screen that displays the status of the toilet in real-time to the soft ambient lighting at night, every detail has been carefully designed to bring more intelligence and care to your bathroom experience.



LED Display Screen

The LED display screen shows the real-time status of the toilet, helping users easily monitor key data.



Night Light Illumination

The ambient lighting automatically turns on at night, providing soft, non-glare illumination and creating a comfortable atmosphere.



Smart Energy Saving

The smart toilet is equipped with a smart energy-saving mode, which automatically reduces energy consumption when not in use, extending the product's service life and saving energy.

NO.A7

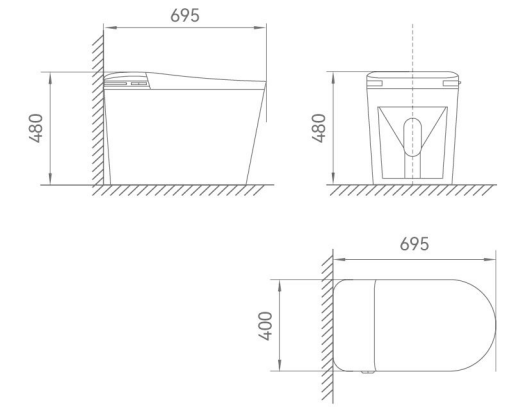
The A7 standard model combines classic design with modern technology, Deliver a stable and reliable experience for daily use.



Size: 695*400*480mm

Rough-in Distance: 305/400mm

Unit: mm



Light smart / basic: damping slow-close

Light smart / upgraded: remote flushing + lid closing / automatic flushing + built-in foam shield + microwave sensing lid lifting + digital display + convenient remote control + automatic slow-close

Full smart / standard: warm air drying + wind temperature adjustment + overheat protection + remote flushing + built-in foam shield + digital display + convenient remote control + damping slow-close + deodorization function + ambient light + hip washing / feminine washing + reciprocal cleaning / nozzle position adjustment + water pressure adjustment + water temperature adjustment + nozzle cleaning + defecation assistance + oxygen-enriched gentle washing

Full smart / high-end: warm air drying + wind temperature adjustment + overheat protection + remote flushing + lid closing / automatic flushing + built-in foam shield + microwave sensing lid lifting + digital display + convenient remote control + automatic slow-close + deodorization function + ambient light + hip washing / feminine washing + reciprocal cleaning / nozzle position adjustment + water pressure adjustment + water temperature adjustment + nozzle cleaning + defecation assistance + oxygen-enriched gentle washing

General Function

Basic Configuration	Seat Module	Flushing Functions	Automatic Functions	Other Functions
Leakage protection	Seat heating	Button flushing	Automatic glaze wetting after seating	Water efficiency grade 2
Seat sensing	Low-temperature burn prevention	Automatic flushing after seat leaving		Nano self-cleaning glaze
Smart energy saving (ECO)	Over-temperature protection	Flushing during power failure		Side button
Soft lighting	Seat temperature adjustment	Foot sensor flushing		Quiet flushing

NO.A9

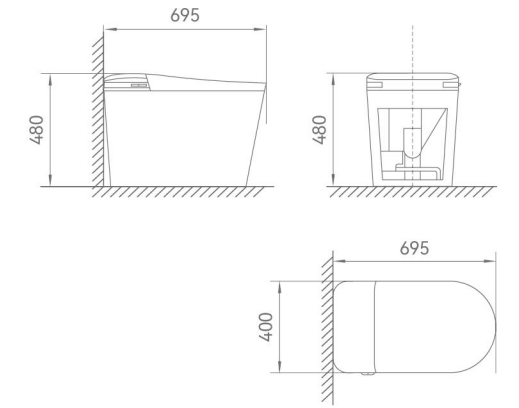
JETMAN smart toilet, with its simple and exquisite design, not only enhances the overall atmosphere of the bathroom, but also provides unprecedented convenience and enjoyment for every use.



Size: 695*400*480mm

Rough-in Distance: 305/400mm

Unit: mm



Light Smart / Basic: Damping Slow-Close

Light Smart / Upgraded: Remote Flushing + Lid Closing / Automatic Flushing + Built-in Foam Shield + Microwave Sensing Lid Lifting + Digital Display + Convenient Remote Control + Automatic Slow-Close

Full Smart / Standard: Warm Air Drying + Wind Temperature Adjustment + Overheat Protection + Remote Flushing + Built-in Foam Shield + Digital Display + Convenient Remote Control + Damping Slow-Close + Deodorization Function + Ambient Light + Hip Washing / Feminine Washing + Reciprocal Cleaning / Nozzle Position Adjustment + Water Pressure Adjustment + Water Temperature Adjustment + Nozzle Cleaning + Defecation Assistance

Full Smart / High-End: Warm Air Drying + Wind Temperature Adjustment + Overheat Protection + Remote Flushing + Lid Closing / Automatic Flushing + Built-in Foam Shield + Microwave Sensing Lid Lifting + Digital Display + Convenient Remote Control + Automatic Slow-Close + Deodorization Function + Ambient Light + Hip Washing / Feminine Washing + Reciprocal Cleaning / Nozzle Position Adjustment + Water Pressure Adjustment + Water Temperature Adjustment + Nozzle Cleaning + Defecation Assistance

General Function

Basic Configuration	Seat Module	Flushing Functions	Automatic Functions	Other Functions
Leakage protection	Seat heating	Button flushing	Automatic glaze wetting after seating	Water efficiency grade 2
Seat sensing	Low-temperature burn prevention	Automatic flushing after seat leaving		Nano self-cleaning glaze
Smart energy saving (ECO)	Over-temperature protection	Flushing during power failure		Side button
Soft lighting	Seat temperature adjustment	Foot sensor flushing		Quiet flushing

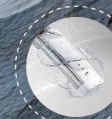
PURE AND CLEAN

JETMAN ensures a fresh experience every time it is used through advanced cleaning technology, jointly creating a safe and hygienic bathroom environment.



SIAA Antibacterial Seat

SIAA certified, antibacterial and bacteriostatic, effectively avoiding cross-infection, with an antibacterial rate of up to 99.99%.



Nozzle Self-Cleaning

The nozzle automatically cleans before and after each use to keep it clean and hygienic.



Antibacterial Glaze

The inner tank is coated with antibacterial glaze, effectively inhibiting bacteria by 99%.

NO.L1

JETMAN smart toilet combines minimalist design with intelligent functionality. Simply touch the button to easily adjust the temperature, cleaning mode, and self-cleaning function, bringing convenience and comfort to your daily life.



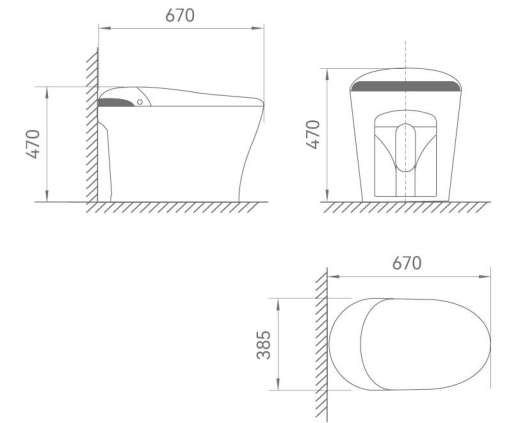
Size: 670*385*470mm

Rough-in Distance: 305/400/200mm

Unit: mm



■ Black



Light smart / basic: damping slow-close

Light smart / upgraded: remote flushing + convenient remote control + automatic slow-close

Full smart / standard: warm air drying + wind temperature adjustment + overheat protection + remote flushing + digital display + convenient remote control + damping slow-close + deodorization function + hip washing / feminine washing + reciprocal cleaning / nozzle position adjustment + water pressure adjustment + water temperature adjustment + nozzle cleaning + defecation assistance + oxygen-enriched gentle washing

Full smart / high-end: warm air drying + wind temperature adjustment + overheat protection + remote flushing + lid closing / automatic flushing + external foam shield + microwave sensing lid lifting + digital display + convenient remote control + automatic slow-close + deodorization function + hip washing / feminine washing + reciprocal cleaning / nozzle position adjustment + water pressure adjustment + water temperature adjustment + nozzle cleaning + defecation assistance + oxygen-enriched gentle washing

General Function

Basic Configuration



Leakage protection



Seat sensing



Smart energy saving (ECO)



Soft lighting

Seat Module



Seat heating



Low-temperature burn prevention



Over-temperature protection



Seat temperature adjustment

Flushing Functions



Button flushing



Automatic flushing after seat leaving



Flushing during power failure



Foot sensor flushing

Automatic Functions



Automatic glaze wetting after seating

Other Functions



Water efficiency grade 2



Nano self-cleaning glaze



Side button

NO.L2

JETMAN intelligent toilet perfectly integrates cutting-edge technology with luxurious craftsmanship. Each function, from temperature control to automatic cleaning, has been carefully designed to provide you with a personalized luxury care experience, transforming your bathroom into an exclusive comfortable space.



Size: 670*385*470mm

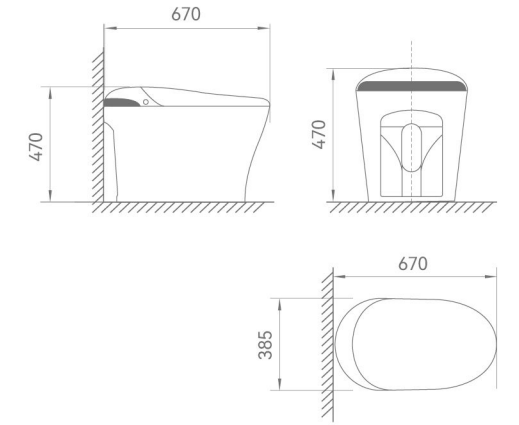
Rough-in Distance: 305/400/200mm

Unit: mm



White

Black



Light smart / basic: damping slow-close

Light smart / upgraded: remote flushing + convenient remote control + automatic slow-close

Full smart / standard: warm air drying + wind temperature adjustment + overheat protection + remote flushing + digital display + convenient remote control + damping slow-close + deodorization function + hip washing / feminine washing + reciprocal cleaning / nozzle position adjustment + water pressure adjustment + water temperature adjustment + nozzle cleaning + defecation assistance + oxygen-enriched gentle washing

Full smart / high-end: warm air drying + wind temperature adjustment + overheat protection + remote flushing + lid closing / automatic flushing + external foam shield + microwave sensing lid lifting + digital display + convenient remote control + automatic slow-close + deodorization function + hip washing / feminine washing + reciprocal cleaning / nozzle position adjustment + water pressure adjustment + water temperature adjustment + nozzle cleaning + defecation assistance + oxygen-enriched gentle washing

General Function

Basic Configuration	Seat Module	Flushing Functions	Automatic Functions	Other Functions
Leakage protection	Seat heating	Button flushing	Automatic glaze wetting after seating	Water efficiency grade 2
Seat sensing	Low-temperature burn prevention	Automatic flushing after seat leaving		Nano self-cleaning glaze
Smart energy saving (ECO)	Over-temperature protection	Flushing during power failure		Side button
Soft lighting	Seat temperature adjustment	Foot sensor flushing		

NO.B1

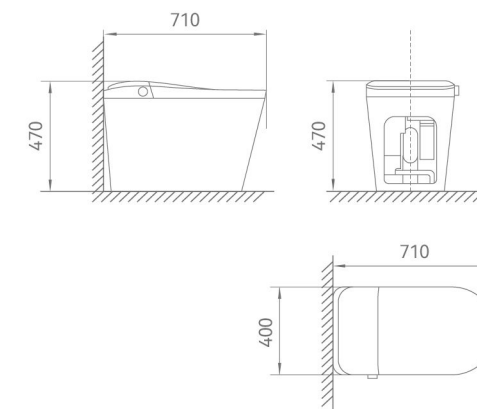
JETMAN smart toilet aims to provide you with the ultimate comfort experience. Through intelligent temperature control and self-cleaning functions, every detail ensures freshness and hygiene, allowing you to enjoy a convenient and comfortable life, and fully enjoy the convenience brought by exquisite intelligent technology.



Size: 710*400*470mm

Rough-in Distance: 305/400mm

Unit: mm



Light smart / basic: damping slow-close

Light smart / upgraded: remote flushing + lid closing / automatic flushing + built-in foam shield + microwave sensing lid lifting + digital display + convenient remote control + automatic slow-close

Full smart / standard: warm air drying + wind temperature adjustment + overheat protection + remote flushing + built-in foam shield + digital display + convenient remote control + damping slow-close + deodorization function + ambient light + hip washing / feminine washing + reciprocal cleaning / nozzle position adjustment + water pressure adjustment + water temperature adjustment + nozzle cleaning + defecation assistance + oxygen-enriched gentle washing

Full smart / high-end: warm air drying + wind temperature adjustment + overheat protection + remote flushing + lid closing / automatic flushing + built-in foam shield + microwave sensing lid lifting + digital display + convenient remote control + automatic slow-close + deodorization function + ambient light + hip washing / feminine washing + reciprocal cleaning / nozzle position adjustment + water pressure adjustment + water temperature adjustment + nozzle cleaning + defecation assistance + oxygen-enriched gentle washing

General Function

Basic Configuration	Seat Module	Flushing Functions	Automatic Functions	Other Functions
Leakage protection	Seat heating	Button flushing	Automatic glaze wetting after seating	Water efficiency grade 2
Seat sensing	Low-temperature burn prevention	Automatic flushing after seat leaving		Nano self-cleaning glaze
Smart energy saving (ECO)	Over-temperature protection	Flushing during power failure		Side knob
Soft lighting	Seat temperature adjustment	Foot sensor flushing		Quiet flushing

NO.WA

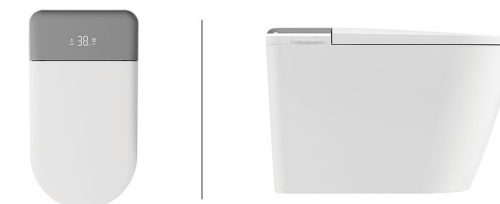
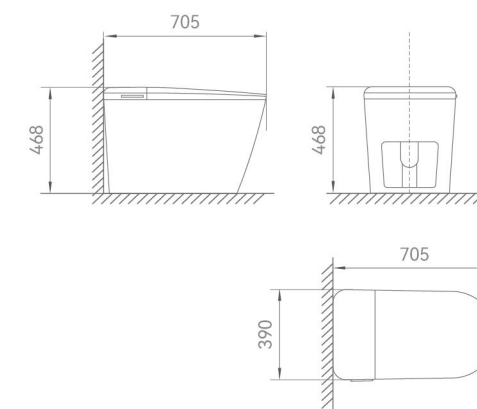
Innovative thinking, breaking through forms and structures, possessing a strong sense of technology, like a work of art. Its appearance is pleasing to the eye, showcasing a high-end and unique taste.



Size: 705*390*468 mm

Rough-in Distance: 305/400mm

Unit: mm



Light smart / basic: damping slow-close

Light smart / upgraded: remote flushing + lid closing / automatic flushing + built-in foam shield + microwave sensing lid lifting + digital display + convenient remote control + automatic slow-close




















Full smart / standard: warm air drying + wind temperature adjustment + overheat protection + remote flushing + built-in foam shield + digital display + convenient remote control + damping slow-close + deodorization function + ambient light + hip washing / feminine washing + reciprocal cleaning / nozzle position adjustment + water pressure adjustment + water temperature adjustment + nozzle cleaning + defecation assistance + oxygen-enriched gentle washing

Full smart / high-end: warm air drying + wind temperature adjustment + overheat protection + remote flushing + lid closing / automatic flushing + built-in foam shield + microwave sensing lid lifting + digital display + convenient remote control + automatic slow-close + deodorization function + ambient light + hip washing / feminine washing + reciprocal cleaning / nozzle position adjustment + water pressure adjustment + water temperature adjustment + nozzle cleaning + defecation assistance + oxygen-enriched gentle washing







General Function

Basic Configuration	Seat Module	Flushing Functions	Automatic Functions	Other Functions
Leakage protection	Seat heating	Button flushing	Automatic glaze wetting after seating	Water efficiency grade 2
Seat sensing	Low-temperature burn prevention	Automatic flushing after seat leaving		Nano self-cleaning glaze
Smart energy saving (ECO)	Over-temperature protection	Flushing during power failure		Side knob
Soft lighting	Seat temperature adjustment	Foot sensor flushing		Quiet flushing

Convenient	Cleaning	Comfort
------------	----------	---------

- | | | |
|---|---|--|
|  Seat sensor |  Rear Wash |  Seat heating |
|  Foot kick flush |  Female wash |  Seat temperature control |
|  Foot sensing flush |  Movable wash |  Temperature Adjustment |
|  Automatic Flush When Leaving Seat |  Self-Cleaning Nozzle |  Splash Prevention |
|  Power Off Flush |  Wand Adjustment |  Instant Hot Water |
|  Silent Soft Close |  Water Pressure Adjustment | |
|  Automatic Lid Open and Close | | |
|  Foot kick lid flip | | |

Control mode	Safety protection
--------------	-------------------

- | | |
|---|---|
|  Remote Control Flush |  leakage protection |
|  Button Flush |  Anti-low temperature scalding |
|  Automatic Energy Saving |  Overtemperature Protection |

Attentions:
Our company holds the right to improve the appearance,dimension and technology of the products without prior notice.